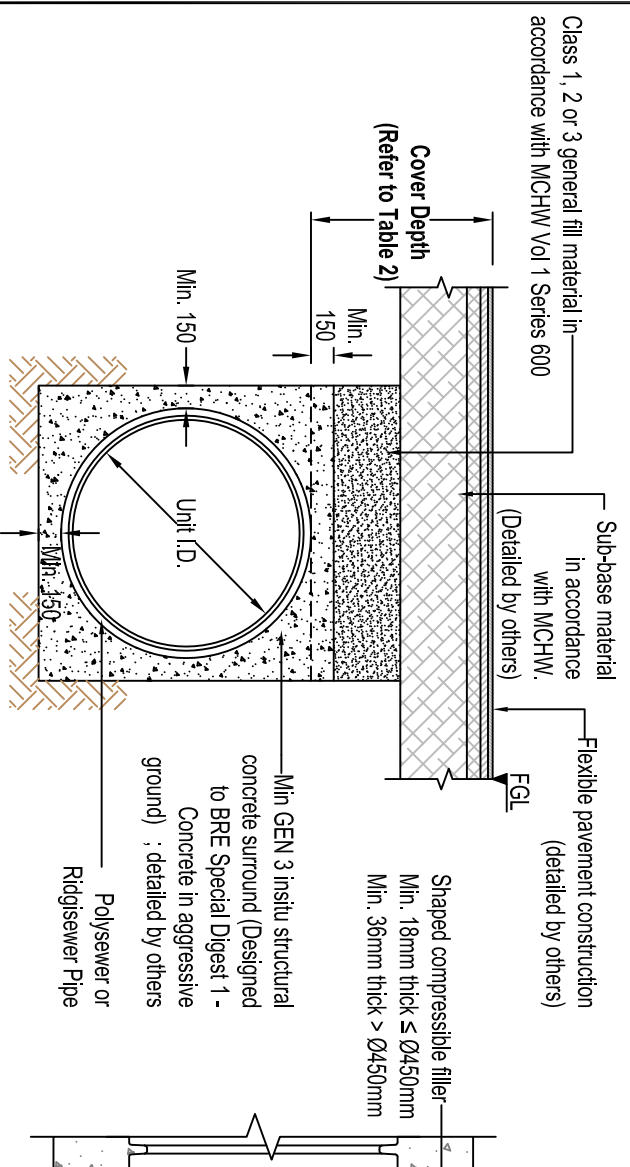


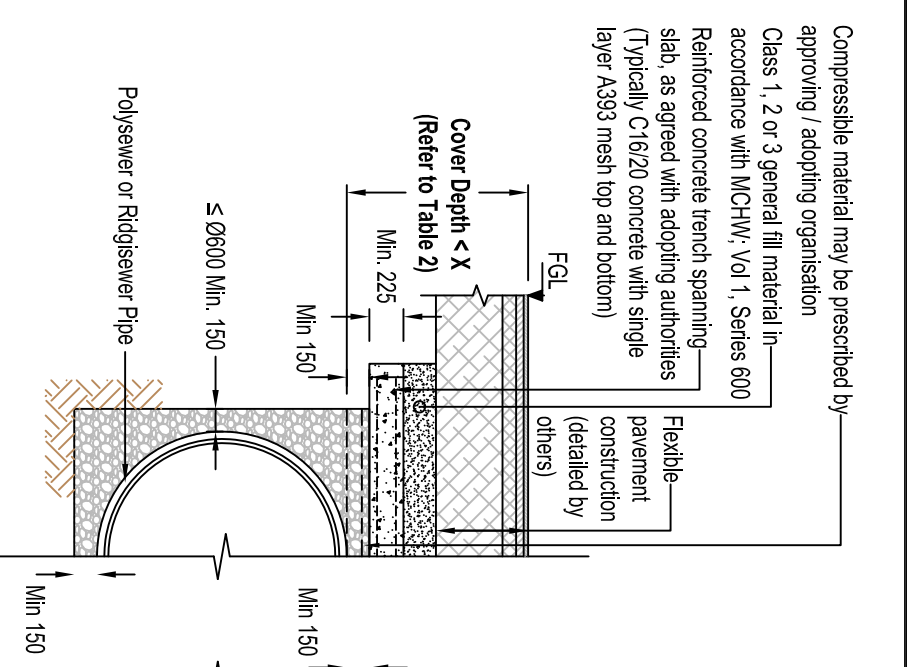
(TRAFFICKED AREAS)

(AGRICULTURAL / PUBLIC OPEN SPACE)

SINGLE PIPE INSTALLATION TYPICAL CROSS SECTION



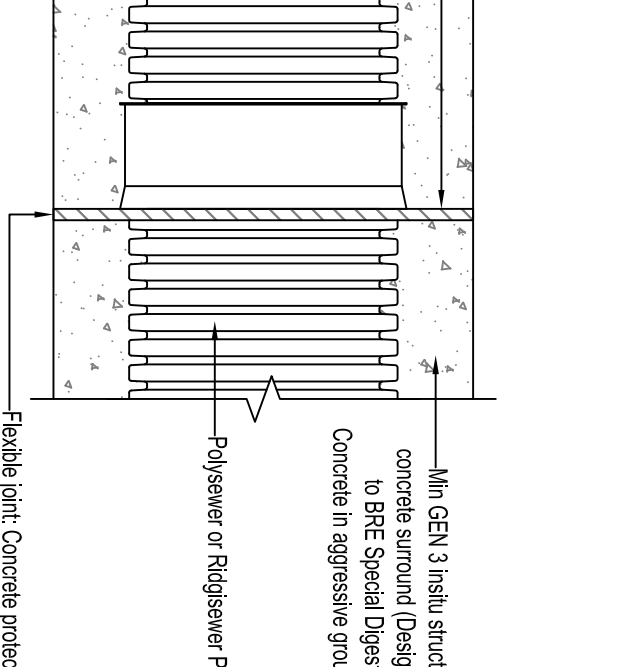
SINGLE PIPE INSTALLATION WITH FULL CONCRETE SURROUND TYPICAL CROSS SECTION



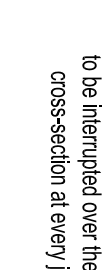
(TRAFFICKED AREAS)

(AGRICULTURAL / PUBLIC OPEN SPACE)

SINGLE PIPE INSTALLATION WITH PROTECTIVE COVER SLAB TYPICAL CROSS SECTION



FULL CONCRETE SURROUND (JOINT DETAIL)



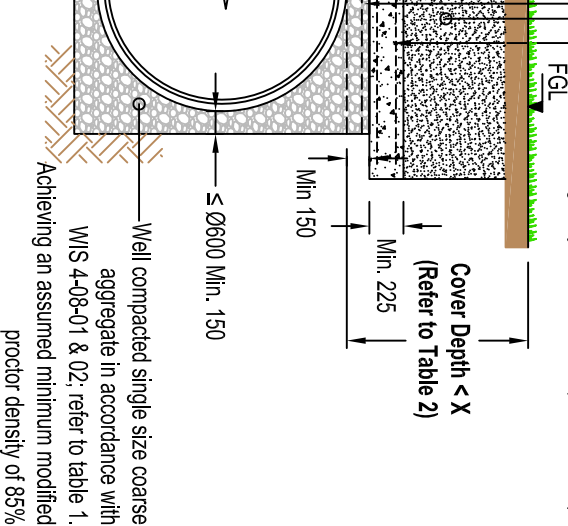
Compressible material may be prescribed by approving / adopting organisation Class 1, 2 or 3 general fill material in accordance with MCHW, Vol 1, Series 600 Reinforced concrete trench spanning slab, as agreed with adopting authorities (Typically C16/20 concrete with single layer A393 mesh top and bottom)

Compressible material may be prescribed by approving / adopting organisation Class 8 material in accordance with MCHW, Vol 1, series 600. Reinforced concrete trench spanning slab, as agreed with adopting authorities (Typically C16/20 concrete with single layer A393 mesh top and bottom)

Table 1 - Typical Pipe Bed & Surround Coarse Aggregate Material Grading

Product	Pipe Size (mm)	Material Grading (BS EN 12324, Clause 4.3.2)
Polysewer	150	4/10 or 6/14
Ridgsewer	225 & 300	4/10, 6/14 or 10/20
	400, 450 & 500	4/10, 6/14, 10/20 or 20/40

NOTES
1. Coarse aggregate materials shall be in accordance with the relevant provisions of BS EN 12324; as detailed within WIS 4-08-02 amendment (Nov 2008), Tables A4 & 5.
2. Alternative pipe bed & surround material specifications shall not be used without prior written approval from the overseeing engineer.



(TRAFFICKED AREAS)

(AGRICULTURAL / PUBLIC OPEN SPACE)

SINGLE PIPE INSTALLATION WITH PROTECTIVE COVER SLAB TYPICAL CROSS SECTION

NOTE - SPECIFICATION DOCUMENT

This typical detail should be read in conjunction with CESWI or SFA7 where appropriate, taking due consideration to any additional requirements of the sewerage undertaker.

- NOTES**
1. All dimensions in millimetres, unless otherwise stated.
 2. All dimensions are nominal and may vary within manufacturing or construction tolerances.
 3. All site temporary and enabling works by others.
 4. Polysewer & Ridgsewer units to be installed in accordance with Polypipe Civils recommendations (refer to Polypipe technical guidance for further information), giving due consideration to the requirements of the organisation who will be taking ultimate ownership of the installation.
 5. Dimensions are based on a minimum stiffness class SN8 pipe, corresponding to the standardised pipe profiles current at the time of this drawing's issue.
 6. This drawing is intended for guidance only. Confirmation of the information contained within this document should be sought from the consulting engineers before final design or construction activities commence.
 7. Unless otherwise stated, all Polysewer & Ridgsewer is supplied to site without direct means of lifting incorporated. The lift supervisor must assess and plan the lift, in the circumstances of the lift, and provide slings and/or other controls as deemed necessary to ensure a safe lift.
 8. Minimum and maximum cover depths applicable, dictated by the expected native ground conditions, trafficking and proposed Polysewer & Ridgsewer pipe specification.



Polypipe Civils

Charnwood Business Park,
North Road, Loughborough,
Leicestershire, LE11 1LE

Tel: 01509 615100
Fax: 01509 615215
www.polypipe.com/civils
www.polypipe.com/wms

SEWER STANDARD DETAILS

PROJECT

STATUS

FOR INFORMATION

DATE

DRAWN BY

22/05/17

JL

TITLE

TYPICAL SINGLE SEWER PIPE INSTALLATION

ORIGINAL SIZE

SCALE

A3

AS SHOWN

DRAWING NO.

SWR_SD_001

REV.

The information in this document is of an illustrative nature and is supplied by Polypipe Civils without charge. This document does not form the whole or any part of a contract or intended contract with the user. The information within this document should not be solely relied upon to determine the suitability or installation requirements of our products for a proposed application and expected site conditions; expert advice should be sought in this respect. Final determination of the suitability of any information or material for the use contemplated and the manner of use is the sole responsibility of the user and the user must assume all risk and liability in connection therewith. Further information with regard to liabilities may be found at www.polypipe.com/discclaimer.