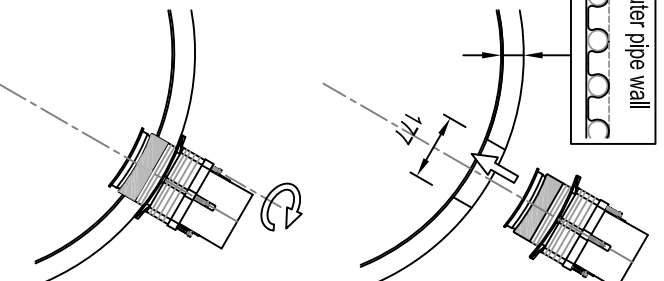


- NOTE**
- Refer to installation instructions supplied with saddle before fitting
 - Pipe specific saddle configuration/ type required (spacer number and type varies to suit pipe diameter and SN class)
 - A saddle should not be fitted within the joint zone (point where pipe corrugation terminates/ starts)
 - Min. 400mm gap should be maintained between saddle installations

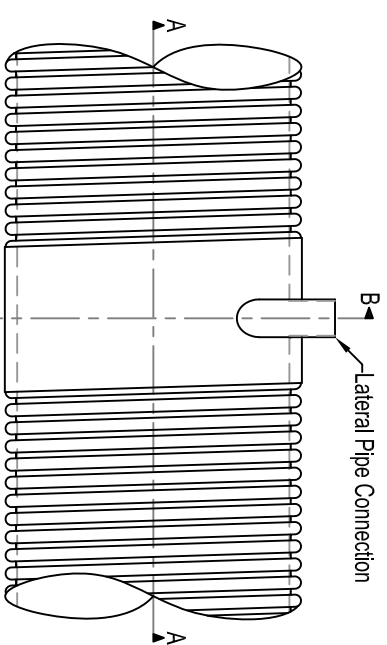


SUMMARY OF INSTALLATION PROCEDURE

- Refer to installation instructions supplied with saddle before fitting
- Cut a 177mmØ hole perpendicular to the pipe wall where the saddle will be fitted
 - Remove all swart and debur hole edges
 - Apply a generous coating of Polypipe lubricant to the outer faces of both the inner sleeve and rubber seal
 - Insert saddle in hole until top flange abuts outer pipe wall.
 - Tighten screws until in contact with bolt ring.
 - Installation complete

TYPICAL LATERAL PIPE CONNECTION

Pre-Fabrication



PLAN

Scale (1:50)

NOTES - SADDLE

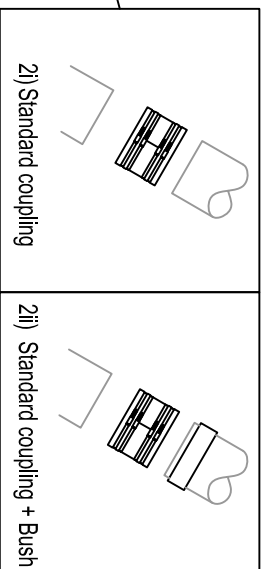
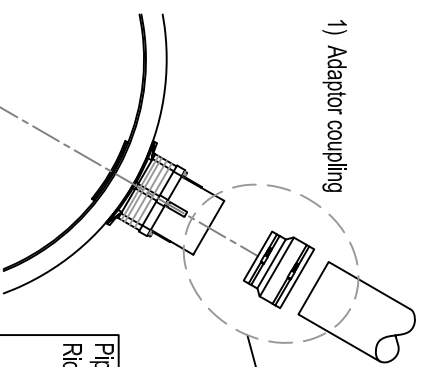
- Saddle model required dependant on pipe diameter and stiffness classification; contact Polypipe Civils for further information.
- Reference should be made to the Ridgistor-XL Saddle Installation Guide supplied with the unit prior to the commencement of work.
- Polypipe products to be installed in accordance with Polypipe Civils recommendations (refer to Polypipe technical guidance for further information), giving due consideration to the requirements of the organisation who will take ultimate ownership of the installation.
- Site conditions may require specific installation requirements. The installer should verify that the proposed installation method is acceptable, giving due consideration to the requirements of the relevant approving and adopting organisation(s), before construction activities commence.

NOTES

- All dimensions in millimetres, unless otherwise stated.
- All dimensions are nominal and may vary within manufacturing or construction tolerances.
- All site temporary and enabling works by others.
- Ridgistor-XL units to be installed in accordance with Polypipe Civils recommendations (refer to Polypipe technical guidance for further information); giving due consideration to the requirements of the organisation who will be taking ultimate ownership of the installation.
- Dimensions are based on a minimum stiffness class SN2 pipe; corresponding to the standardised pipe profiles current at the time of this drawing's issue.
- This drawing is intended for guidance only. Confirmation of the information contained within this document should be sought from the consulting engineers before final design or construction activities commence.
- Unless otherwise stated, all Ridgistor-XL is supplied to site without direct means of lifting incorporated. The lift supervisor must assess and plan the lift, in the circumstances of the lift, and provide slings and/or other controls as deemed necessary to ensure a safe lift.
- Minimum and maximum cover depths applicable, dictated by the expected native ground conditions, trafficking and proposed Ridgistor-XL pipe specification.

TYPICAL RIDGISTORM XL SADDLE INSTALLATION DETAIL

Scale (1:20)

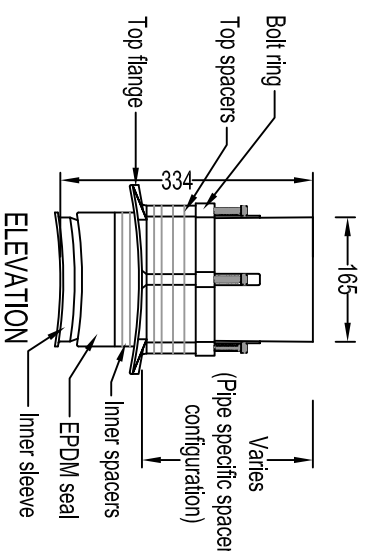
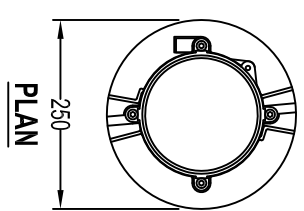


Pipe Connecting to Ridgistor XL Saddle	Flexseal Couplers		
	Option 1	Standard coupler	Bush
Ø160mm BS EN 1401-1	-	SC165	-
Ø150mm Polysewer	-	SC165	-
Ø150mm Ridgitrain	AC1924	SC180	BC08/160

Note
The above table details typical coupling adaptors used in drainage systems. Alternative coupling adaptors are available from Flexseal Ltd (further details available at www.flexseal.co.uk)

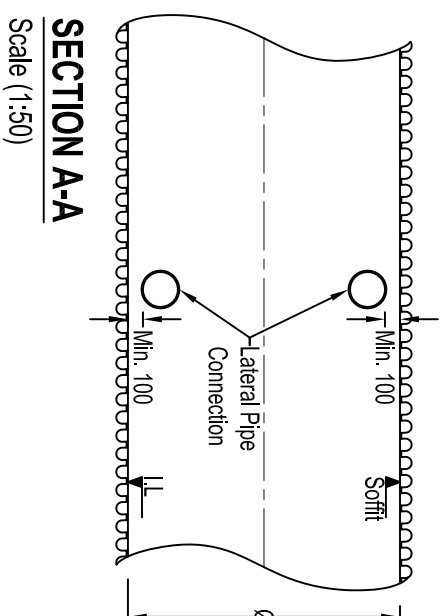
RIDGISTORM XL SADDLE CONNECTING COUPLER DETAIL

Scale (1:20)



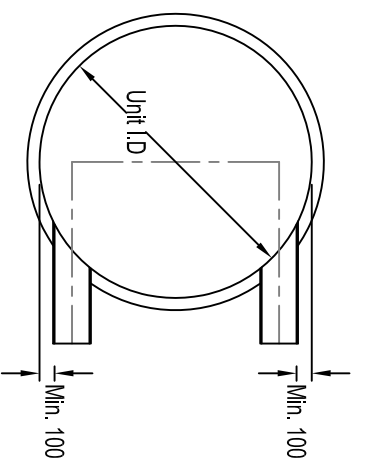
SADDLE DETAIL - RETROFIT

Scale (1:10)



SECTION A-A

Scale (1:50)



SECTION B-B

Scale (1:50)



Polypipe Civils

Charmwood Business Park,
North Road, Loughborough,
Leicestershire, LE11 1LE

Tel: 01509 615100
Fax: 01509 615215
www.polypipe.com/civils
www.polypipe.com/wms

RIDGISTORM-XL STANDARD DETAILS

PROJECT

FOR INFORMATION

STATUS

TITLE

TYPICAL SADDLE / LATERAL CONNECTION

DATE

16/02/16

DRAWN BY

JL

ORIGINAL SIZE

A3

SCALE

AS SHOWN

DRAWING NO.

RST_SD_SA_001

REV.

The information in this document is of an illustrative nature and is supplied by Polypipe Civils without charge. This document does not form the whole or any part of a contract or intended contract with the user. The information within this document should not be solely relied upon to determine the suitability or installation requirements of our products for a proposed application and expected site conditions; expert advice should be sought in this respect. Final determination of the suitability of any information or material for the use contemplated and the manner of use is the sole responsibility of the user and the user must assume all risk and liability in connection therewith. Further information with regard to liabilities may be found at www.polypipe.com/disclaimer.