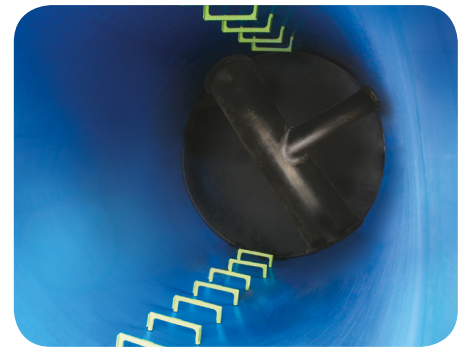


Whether your project calls for stormwater, foul water or combined sewer systems, we can purpose-build high density polyethylene (HDPE) pre-fabricated manholes, to provide easy access into a pipeline. RIDGISTORMAccess Manholes are utilised where pipe runs change direction, combine, change invert level, diameter or pipe material. They can be integrated into our surface water (Ridgidrain and Ridgistorm-XL) and sewer (Polysewer, Ridgisewer and Ridgistorm-XL) pipework systems or engineered to connect to other pipe materials.



## Applications

RIDGISTORMAccess Manholes are engineered for the use in stormwater, foul and combined sewer applications to enable access to the pipework system for inspection and maintenance. Factory installed, preformed benching and channelling is available to spring line (SHW) or soffit (SFA) depending on the specification required. RIDGISTORMAccess Manholes can be pre-fabricated with a number of features to reduce the need for direct access into the pipe, such as an offset channel, or maximising step landing width, or to minimise operational Health and Safety risks with the pre-installation of Toe Holds, Safety Chain Assemblies and Guardrail Assemblies.

## Key Features and Benefits

- Provides easy access for maintenance
- Can be manufactured to adoptable standards
- Full range of accessories available including toe holds, safety chain attachment points and Guardrails
- Multiple inlet and outlet options allowing quick and seamless connection to the pipeline
- Depths can be tailored to suit project requirements
- Integral benching
- Optional step irons to BS EN 13101 and ladders to BS EN 14376
- Stub connections and rocker pipes are available
- Integral lifting points available on request to improve Health and Safety of handling and installation
- Manufactured in a factory controlled environment for improved quality of finish
- Eliminates wastage associated with in-situ construction

## Compatibility

RIDGISTORMAccess Manholes can be integrated into our surface water (Ridgidrain and Ridgistorm-XL) and sewer (Polysewer, Ridgisewer and Ridgistorm-XL) pipework systems or engineered to connect to other pipe materials.

## Performance

RIDGISTORMAccess Manholes are fabricated from Ridgistorm-XL pipework, which is manufactured to meet the material requirements of BS EN 13476.

### RIDGISTORMACCESS MANHOLES

#### PHYSICAL PROPERTIES

Diameter	900-3000mm
Depth	To suit requirements
Material	HDPE
Colour	Black with blue Interior
Loading	Determined by structural design
Chemical resistance	HDPE is naturally resistant to most chemicals naturally found in stormwater run-off and uncontaminated ground
Inlets/outlets	100-3000mm

## Our Ridgistorm-XL Fabrications range

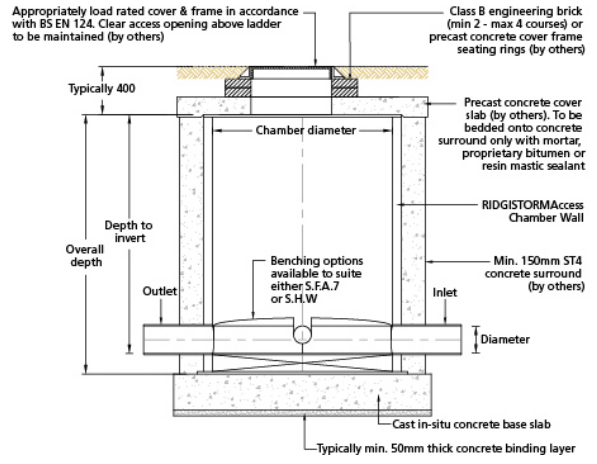
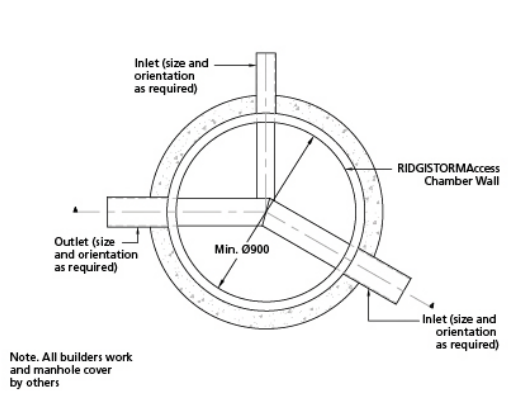
All of our Ridgistorm-XL fabrications are tailor-made, fully-welded, watertight structured wall chambers to suit project-specific requirements. Health and Safety benefits become apparent during handling and installation, due to our fabrications' strong but light in weight nature. In addition, off-site construction ensures uncompromised, high quality products being delivered to site ready-to-install, reducing installation time and costs.



RIDGISTORM Access Manholes are used for access and inspection and fall into 3 different categories:

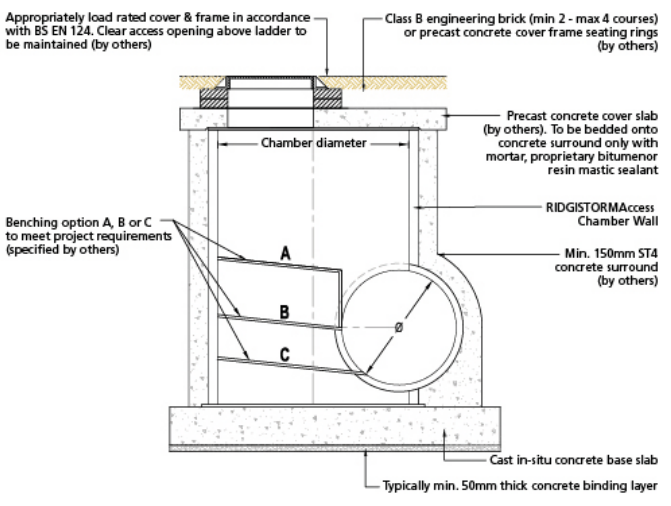
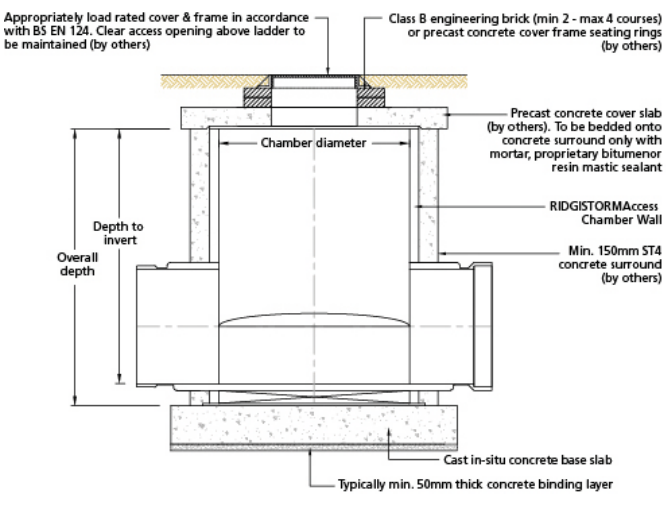
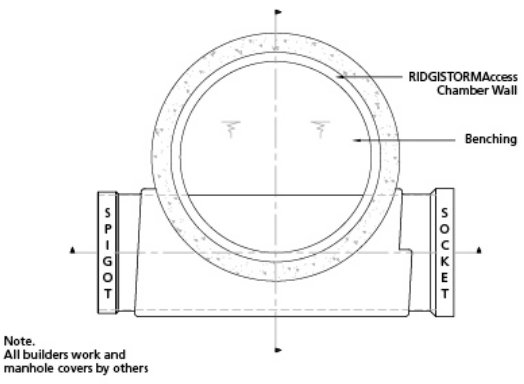
## 1. Conventional manholes

These are positioned on a run of sewer pipes and can incorporate side connections if required.



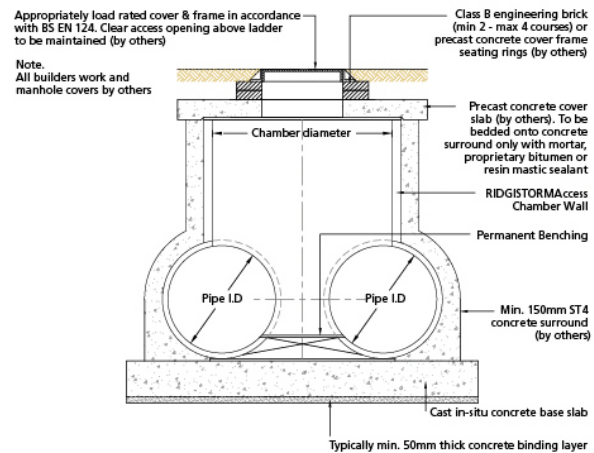
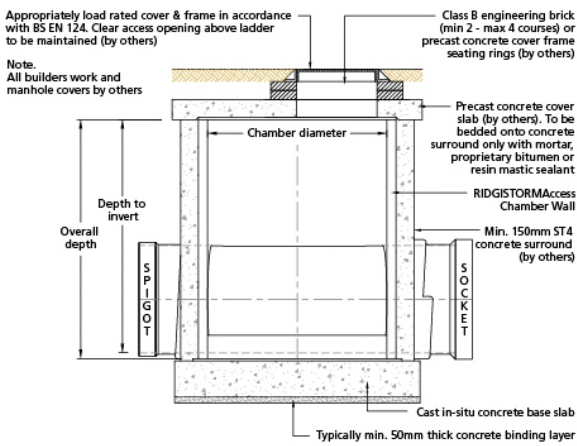
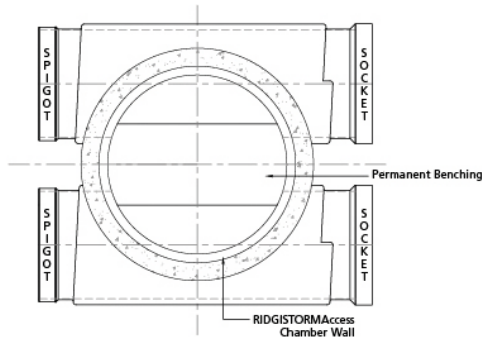
## 2. Side entry manholes

Generally used on large diameter sewers, side entry manholes provide ease of access.



### 3. Multiple pipe manholes

Where dual sewer pipes carrying the same flows run parallel with one another, the manhole is positioned centrally to allow a single point of access to both pipelines.



For further information please contact our Technical Team on +44 (0) 1509 615100 or download our CAD Standard Details from our website [www.polypipe.com/civils-technical-hub](http://www.polypipe.com/civils-technical-hub)

All descriptions and illustrations in this publication are intended for guidance only and shall not constitute a 'sale by description'. All dimensions given are nominal and Polypipe may modify and change the information, products and specifications from time to time for a variety of reasons, without prior notice. The information in this publication is provided 'as is' on March 2019. Updates will not be issued automatically. This information is not intended to have any legal effect, whether by way of advice, representation or warranty (express or implied). We accept no liability whatsoever (to the extent permitted by law) if you place any reliance on this publication you must do so at your own risk. All rights reserved. Copyright in this publication belongs to Polypipe and all such copyright may not be used, sold, copied or reproduced in whole or part in any manner in any media to any person without prior consent. © Polypipe is a registered trademark of Polypipe. All Polypipe products are protected by Design Right under CDPA 1988. Copyright © 2019 Polypipe. All rights reserved.