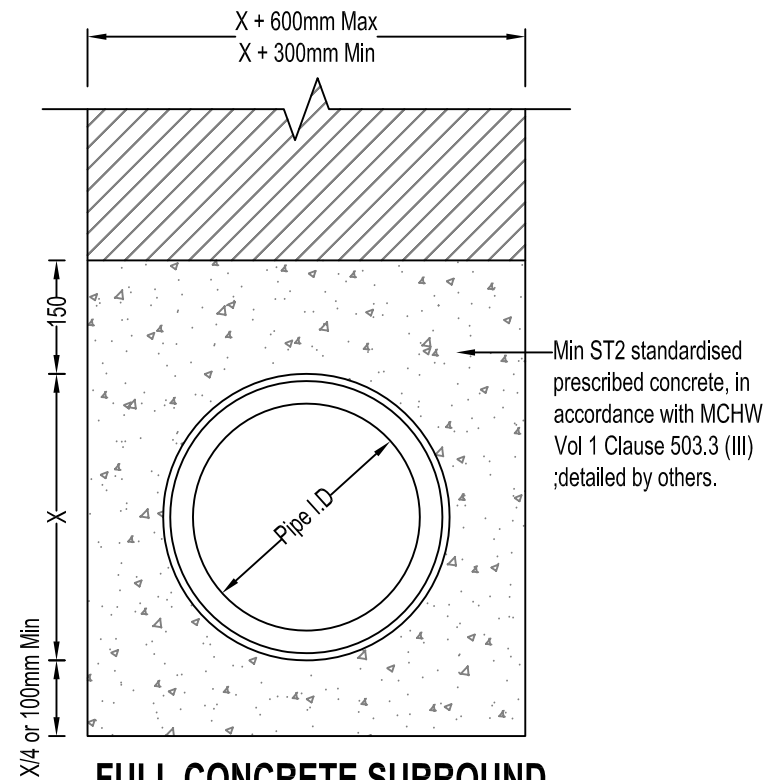


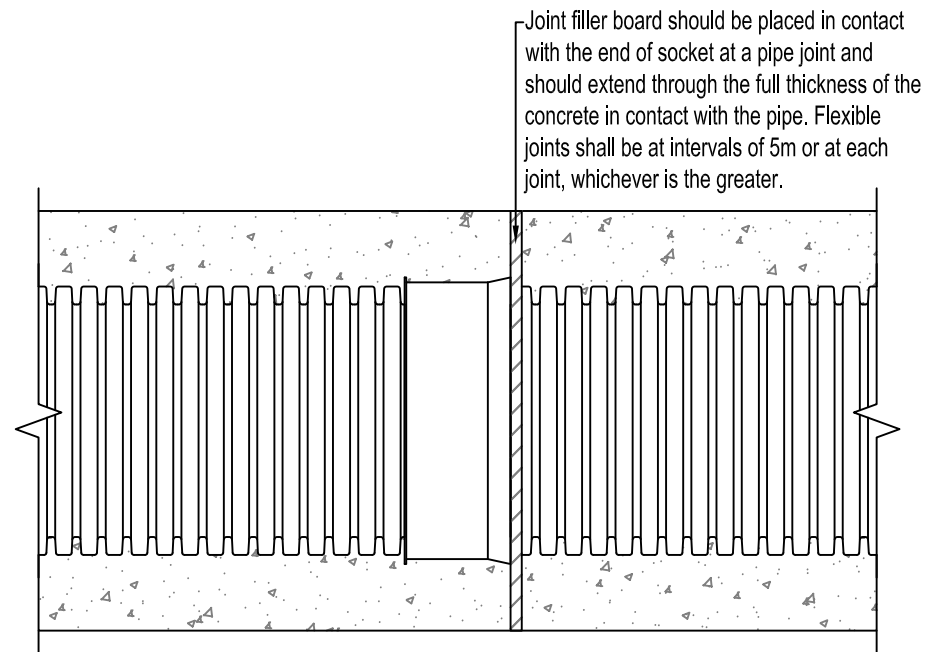
CONCRETE COVER SLAB

Scale (1:10)





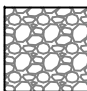
FULL CONCRETE SURROUND

Scale (1:10)



FULL CONCRETE SURROUND (JOINT DETAIL)

Scale (1:10)

-  Class 8 Material to S.H.W Clause 503.3 (iv)
 -  Concrete to S.H.W Clause 503.3 (iii)
 -  Granular Material to S.H.W Clause 503.3 (i)
- X = External Pipe Diameter

NOTE - SPECIFICATION DOCUMENTS

1. This typical detail should be read in conjunction with Manual Contracts for Highway Works (MCHW), Volume 1, F Series.
2. SHW - Specification for Highways Works, Series 500.

DRAWING NOTES

1. All dimensions in millimetres, unless otherwise stated.
2. All dimensions are nominal and may vary within manufacturing or construction tolerances.
3. All site temporary and enabling works by others.
4. Ridgidrain is to be installed in accordance with Polypipe Civils recommendations (refer to Polypipe technical guidance for further information); giving due consideration to the requirements of the organisation who will be taking the ultimate ownership of the installation.
5. Dimensions are based on a stiffness class of SN6 for Ø100mm - Ø600mm and SN4 or SN6 for Ø750mm and Ø900mm; corresponding to the standardised pipe profiles current at the time of this drawing's issue.
6. This drawing is intended for guidance only. Confirmation of the information contained within this document should be sought from the consulting engineers before final design or construction activities commence.
7. Unless otherwise stated, all Ridgidrain is supplied to site without direct means of lifting incorporated. The lift supervisor must assess and plan the lift, in the circumstances of the lift, and provide slings and / or other controls as deemed necessary to ensure a safe lift.
8. Minimum and maximum cover depths are applicable and dictated by the expected native ground conditions, trafficking and proposed Ridgidrain pipe specification.

REV	AMENDMENT	DATE
-----	-----------	------

The information in this document is of an illustrative nature and is supplied by Polypipe Civils without charge. This document does not form the whole or any part of a contract or intended contract with the user. The information within this document should not be solely relied upon to determine the suitability or installation requirements of our products for a proposed application and expected site conditions; expert advice should be sought in this respect. Final determination of the suitability of any information or material for the use contemplated and the manner of use is the sole responsibility of the user and the user must assume all risk and liability in connection therewith. Further information with regard to liabilities may be found at www.polypipe.com/disclaimer.

Polypipe
 Polypipe Civils
 Chamwood Business Park
 North Road, Loughborough
 Leicestershire, LE11 1LE
 Tel: 01509 615100
 Fax: 01509 615215
www.polypipe.com/civils

PROJECT NAME RIDGIDRAIN STANDARD DETAILS		STATUS FOR INFORMATION	
SHEET SIZE A3	SHEET NO. 1 of 1	DRAWN BY BM	
PROJECT TYPE TYPICAL PROTECTIVE MEASURES INSTALLATION		SCALE AS SHOWN	DATE 06/11/17
DRAWING NO. RDR_SD_003		REV. -	