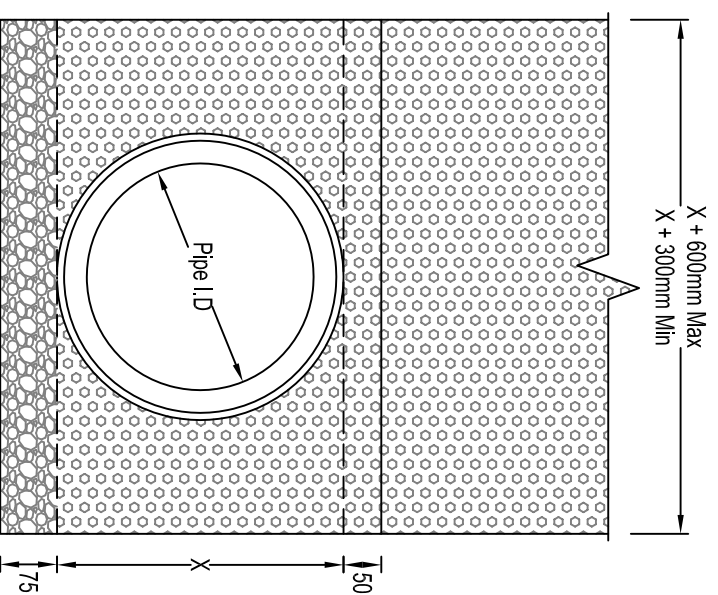


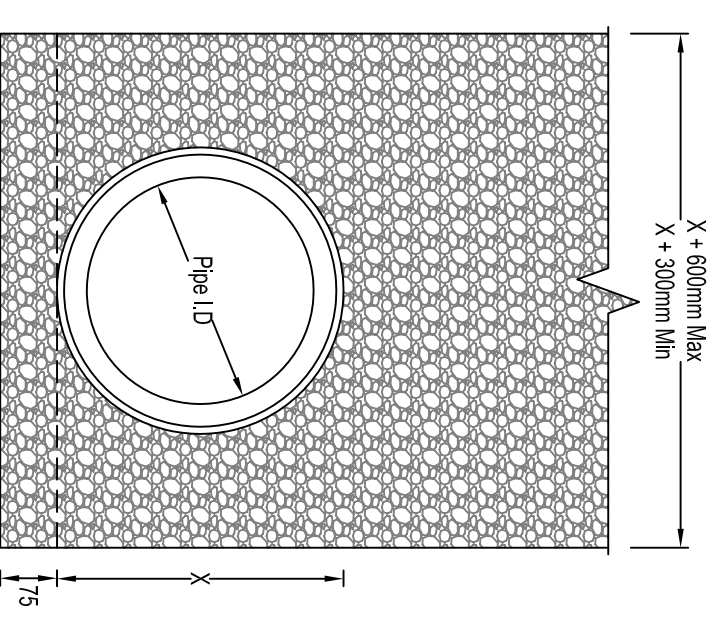
TYPE G FILTER DRAINS

Scale (1:10)



TYPE H FILTER DRAINS

Scale (1:10)



TYPE K FILTER DRAINS

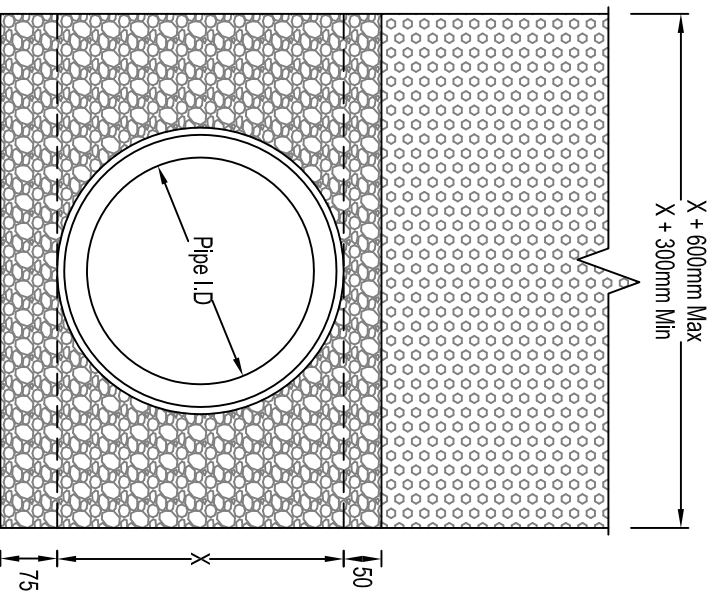
Scale (1:10)

NOTE - SPECIFICATION DOCUMENT

This typical detail should be read in conjunction with MCHW, Volume 1, F series

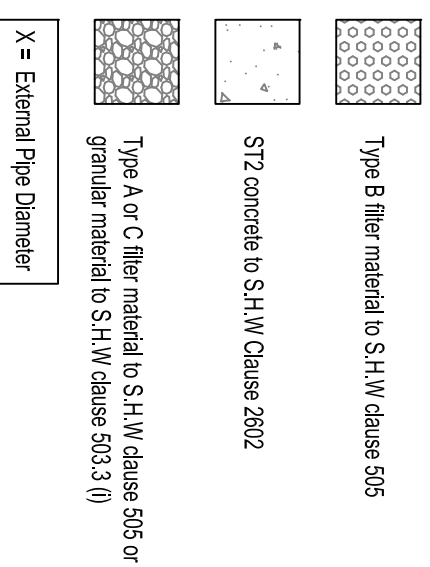
NOTES

1. All dimensions in millimetres, unless otherwise stated.
2. All dimensions are nominal and may vary within manufacturing or construction tolerances.
3. All site temporary and enabling works by others.
4. Ridgidrain units to be installed in accordance with Polypipe Civils recommendations (refer to Polypipe technical guidance for further information); giving due consideration to the requirements of the organisation who will be taking ultimate ownership of the installation.
5. Dimensions are based on a minimum stiffness class SN6 pipe; corresponding to the standardised pipe profiles current at the time of this drawing's issue.
6. This drawing is intended for guidance only. Confirmation of the information contained within this document should be sought from the consulting engineers before final design or construction activities commence.
7. Unless otherwise stated, all Ridgidrain is supplied to site without direct means of lifting incorporated. The lift supervisor must assess and plan the lift, in the circumstances of the lift, and provide slings and/or other controls as deemed necessary to ensure a safe lift.
8. Minimum and maximum cover depths applicable, dictated by the expected native ground conditions, trafficking and proposed Ridgidrain pipe specification.



TYPE I FILTER DRAINS

Scale (1:10)



The information in this document is of an illustrative nature and is supplied by Polypipe Civils without charge. This document does not form the whole or any part of a contract or intended contract with the user. The information within this document should not be solely relied upon to determine the suitability or installation requirements of our products for a proposed application and expected site conditions; expert advice should be sought in this respect. Final determination of the suitability of any information or material for the use contemplated and the manner of use is the sole responsibility of the user and the user must assume all risk and liability in connection therewith. Further information with regard to liabilities may be found at www.polypipe.com/disclaimer.



Polypipe Civils

Charmwood Business Park,
North Road, Loughborough,
Leicestershire, LE11 1LE

Tel: 01509 615100
Fax: 01509 615215
www.polypipe.com/civils
www.polypipe.com/wms

PROJECT

RIDGIDRAIN STANDARD DETAILS

STATUS

FOR INFORMATION

DATE

15/05/17

DRAWN BY

JL

TITLE

TYPICAL FILTER DRAIN PIPE INSTALLATION

ORIGINAL SIZE

A3

SCALE

AS SHOWN

DRAWING NO.

RDR_SD_002

REV.