

Permavoid 300mm Podium Deck Roof Access Chamber

Data Sheet

PRODUCT INFORMATION

P1

ISSUE 2 - JULY 2018

Product code: PVOD01303

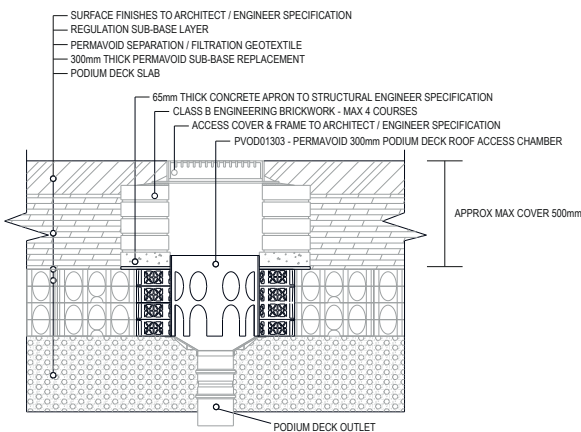
The Permavoid 300mm Podium Deck Roof Access Chamber is engineered to provide access to an existing podium deck outlet, on a 300mm Permavoid subbase replacement installation. It is set within two 150mm Permavoid, providing a quick and easy connection to surrounding Permavoid. The chamber allows for easy access to an existing roof outlet for routine maintenance.



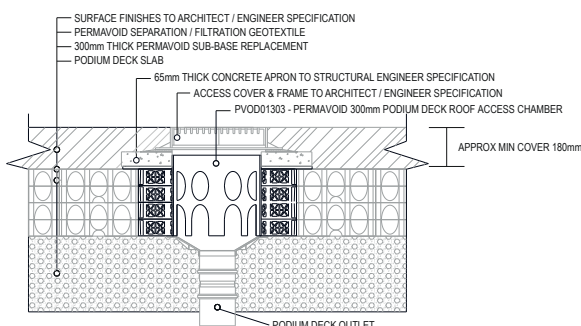
Key Benefits

- Engineered to provide access to an existing podium deck outlet
- Quick, easy connection to surrounding Permavoid
- Easy access for maintenance
- Designed to support the performance of existing outlet
- 100% recyclable

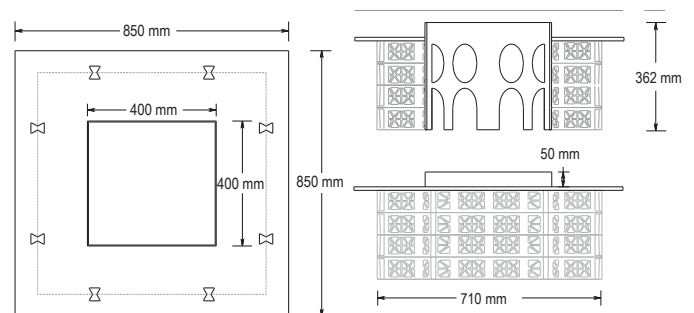
Application 1 - maximum cover approximately 500mm



Application 2 - minimum cover approximately 180mm



ELEMENT	VALUE
PHYSICAL PROPERTIES	
Length	850mm
Width	850mm
Depth	362mm
Outlet access length	400mm
Outlet access width	400mm
Unit weight	15kg
Material	HDPE/PP
PACKAGING DETAILS	
Packaging unit type	Double wall cardboard
Packaging unit dimension	872(L) x 872(W) x 234(H) mm
Packaging unit weight	15kg
Number of units per pallet	4
Pallet dimensions	1200(L) x 1200(W) x 1700(H) mm
Pallet weight	85kg



Technical Support

Detailed guidance and assistance is available.

For further information, please contact our Technical Team on

+44 (0)1509 615 100 or email: civils@polypipe.com

or visit www.polypipe.com/civils-technical-hub

Polypipe Civils,

Charnwood Business Park, Loughborough, Leicestershire LE11 1LE

Tel: +44 (0)1509 615100 Fax: +44(0)1509 610215 Email: civils@polypipe.com

www.polypipe.com/wms



Permavoid 300mm Podium Deck Roof Access Chamber

Data Sheet

PRODUCT INFORMATION

P2

ISSUE 2 - JULY 2018

Permavoid 300mm Podium Deck Roof Access Chamber can be utilised in these SuDS techniques

TECHNIQUES													
Blue-Green roofs	Podium Decks	Trees	Sports Pitches	Cycle Paths	Permeable Paving (sub base & podium)	Bioretention & Rain Gardens	Attenuation Storage Tanks	Infiltration	Swales	Filter Drains	Detention Basins	Ponds & Wetlands	Filter Strips
✓	✓												

Visit www.polypipe.com/greeninfrastructure

All descriptions and illustrations in this publication are intended for guidance only and shall not constitute a 'sale by description'. All dimensions and weights given are nominal and Polypipe may modify and change the information, products and specifications from time to time for a variety of reasons, without prior notice. The information in this publication is provided 'as is' on July 2018. Updates will not be issued automatically. This information is not intended to have any legal effect, whether by way of advice, representation or warranty (express or implied). We accept no liability whatsoever (to the extent permitted by law) if you place any reliance on this publication you must do so at your own risk. All rights reserved. Copyright in this publication belongs to Polypipe and all such copyright may not be used, sold, copied or reproduced in whole or part in any manner in any media to any person without prior consent. Polypipe is a registered trademark of Polypipe. All Polypipe products are protected by Design Right under CDPA 1988. Copyright © 2018 Polypipe. All rights reserved.