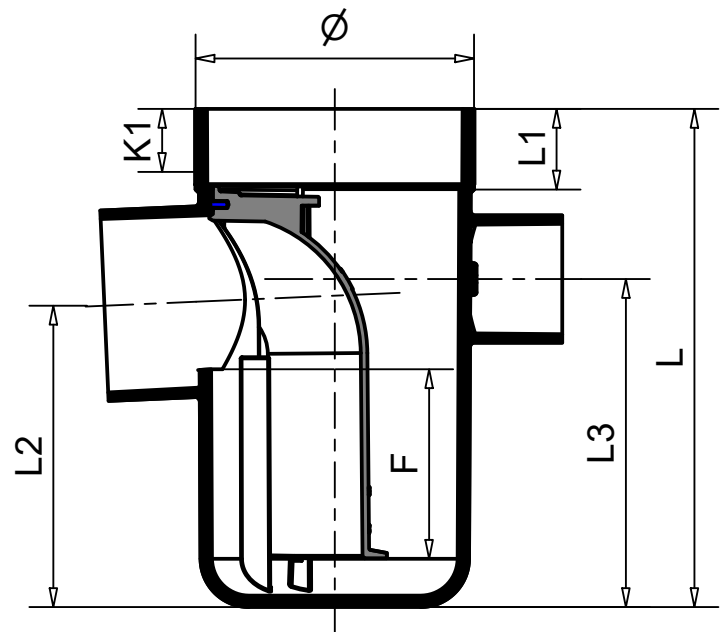


## Features and benefits

- Manufactured to BS EN 1519
- UK Manufactured
- All spigot can be electrofusion or butt welded
- All bosses used by drilling out with a 42mm hole
- saw Bosses are offset from centre for a more compact design
- Creates a 75mm water seal
- Witness lines at 45deg increments
- Baffle can be removed easily for cleaning



HDPE Trapped floor gully

Code	$\phi/\phi1/\phi2$	S/S1/S2	L	L1	L2	L3	F	X	K1	K2	K3
979.11075.50B	110/75/50	4.3/3/3	198	30	120	130	75	12	30	35	30

PDS006  
Version: 1  
Issued: 04/03/2022