

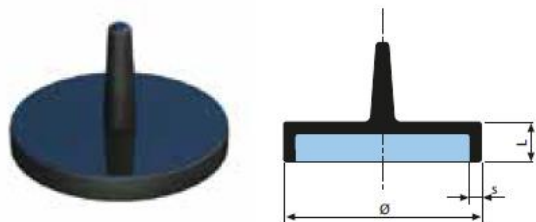
HDPE blank ends – Butt weld only			
Code	Ø	S	L
930.40B	40	3	15
930.50B	50	3	15
930.56B	56	3	15
930.75B	75	3	15
930.110B	110	4.3	15
930.160B	160	6.2	15

## Features and benefits

- Manufactured to BS EN 1519
- Butt weld only
- UK Manufactured
- Newly added alignment boss to allow adaption for test nipple
- Standardised length for all sizes

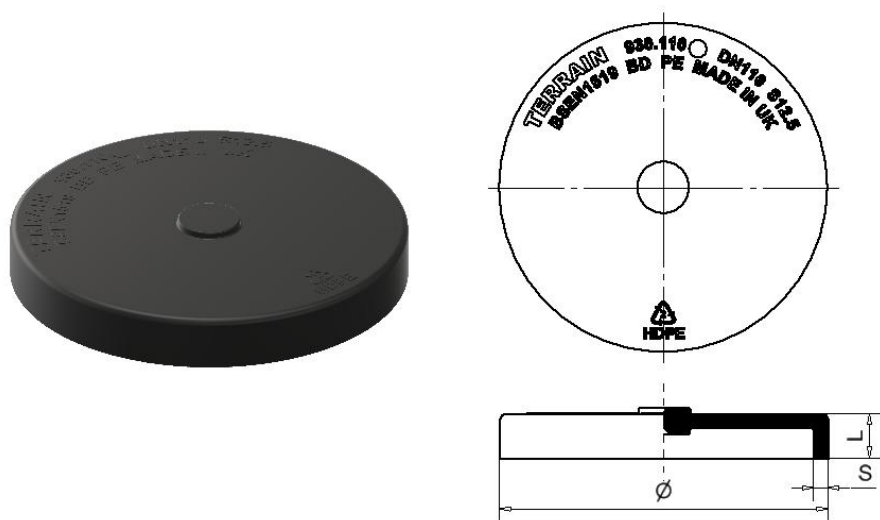
PDS004  
Version: 1  
Issued: 04/03/2022

## Before



Ø	S	L	Kg	Code
<b>HDPE BLANK END</b>				
40	3	10	0.01	930.40B
50	3	10	0.01	930.50B
56	3	10	0.01	930.56B
75	3	10	0.02	930.75B
110	4.3	10	0.05	930.110B

## After



HDPE blank ends – Butt weld only			
Code	Ø □	S	L
930.40B	40	3	15
930.50B	50	3	15
930.56B	56	3	15
930.75B	75	3	15
930.110B	110	4.3	15
930.160B	160	6.2	15