

# Drainage Solutions for Tall Buildings

Issue 3 – BIM and Revit

2016

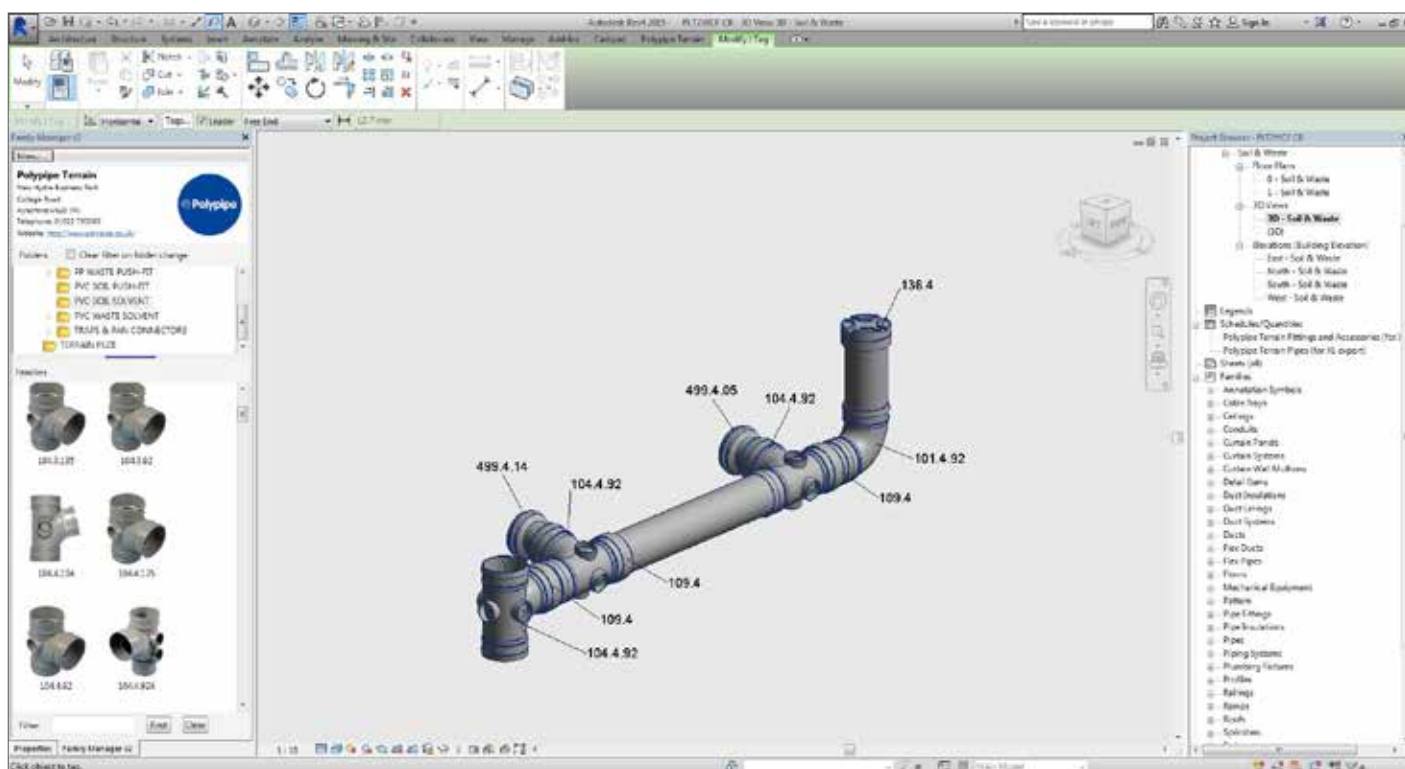
P1

Following the UK Government target of achieving Building Information Modelling (BIM) level 2 by 2016 on all public sector asset procurement we have been working on ensuring our parts are available to assist in achieving this goal. We are now able to provide Revit families for the following Terrain drainage systems:

- Terrain 100 Solvent
- Terrain 100P Push-Fit
- Terrain 200 Solvent Waste
- Terrain 300 Push-Fit Waste
- Terrain 400 Traps & Pan connectors
- Terrain 500 Overflow
- Terrain FUZE HDPE

As Terrain products offer unique features and benefits we wanted to incorporate these features in to the family parts whilst retaining the aesthetic properties of the Terrain parts. Within this bulletin we will run through a few of the product features and how they work within the Revit software to assist you in the design process.

**Figure 1:** General overview of the Revit screen showing a 2 WC PVC float, components are visually “Terrain” we are currently preparing a library of standard float arrangements for Basins, WC’s, Sinks etc. that we will be available for release upon request.



# Drainage Solutions for Tall Buildings

Issue 3 – BIM and Revit

2016

P2

Figures 2a (below left) and 2b (below right): Currently in the final stages of development is a "Family Manager Add-in", once installed this will allow easy navigation of Terrain family files and component selection within your active project. This is due for release by the end of March 2016, and will be available for Revit 2015 and 2016.

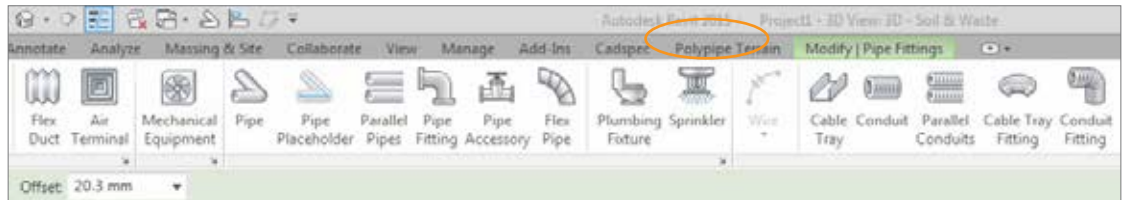
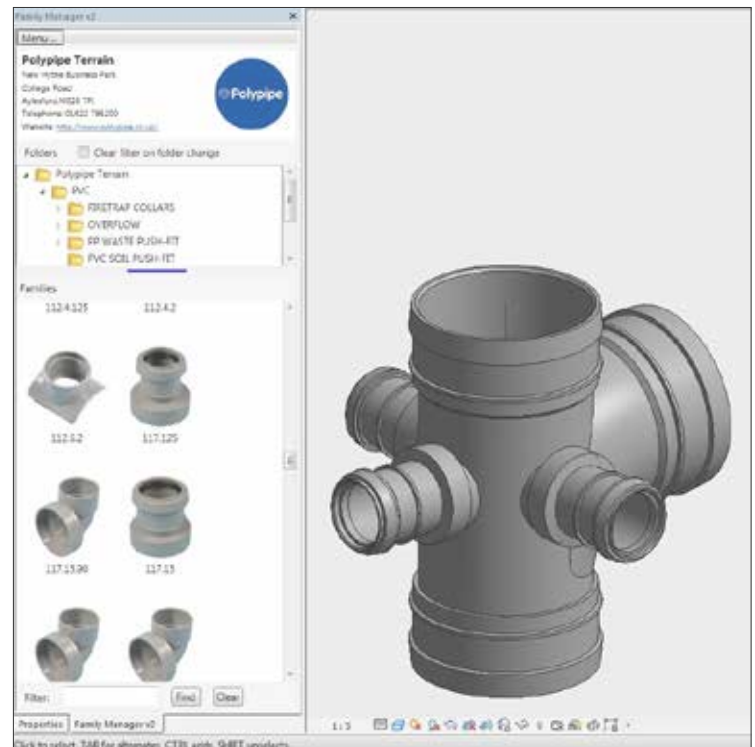
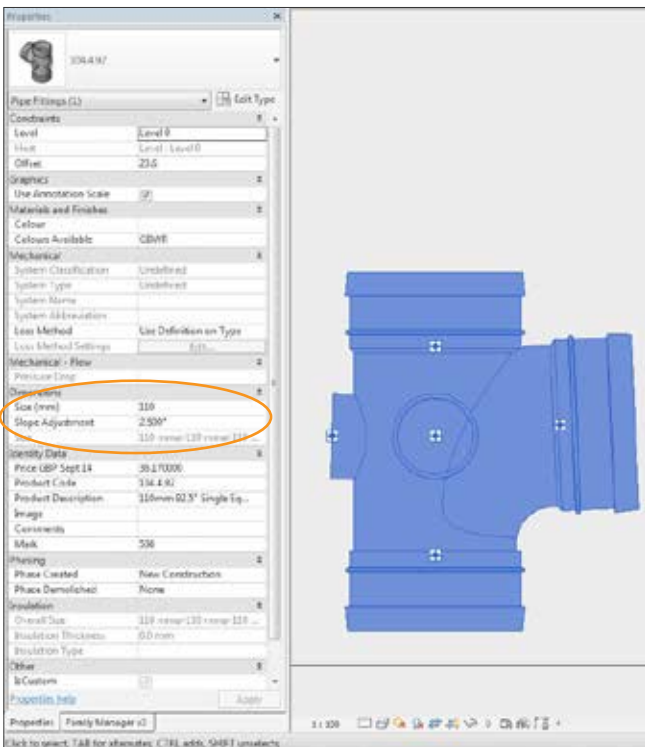


Figure 3a (below left): Shows Multi-port branch configuration with "slope adjustment" to allow pipe slope as low as 1° for use on WC floats high level runs etc.

Figure 3b (below right): The PVC pipe and bends will draw automatically in all sizes using the Terrain routing preferences however, the PVC range branches are known as "multi-port connections" as opposed to Tee's and will not automatically be added to the piping system in the routing preferences, this is due to the number of possible connections using the waste bosses. The range of 117 boss adapters can be connected to the boss horns by selecting them from the "properties pipe fittings menu" or the family manager menu (once installed) and adding them to the branch, they will connect in succession to all nodes that do not have pipe connected (this includes the 110/4" branch, top and bottom sockets).



# Drainage Solutions for Tall Buildings

Issue 3 – BIM and Revit

2016

P3

Figures 4a (below left) and 4b (below right): Demonstrate the functionality of our variable boss branches, the lower sockets are adjustable through 90° using the “rotation angle” and will accept 1.5”/40 and 2”/50 waste pipe. The main branch also incorporates the “slope adjustment” the same as all the other PVC branches.

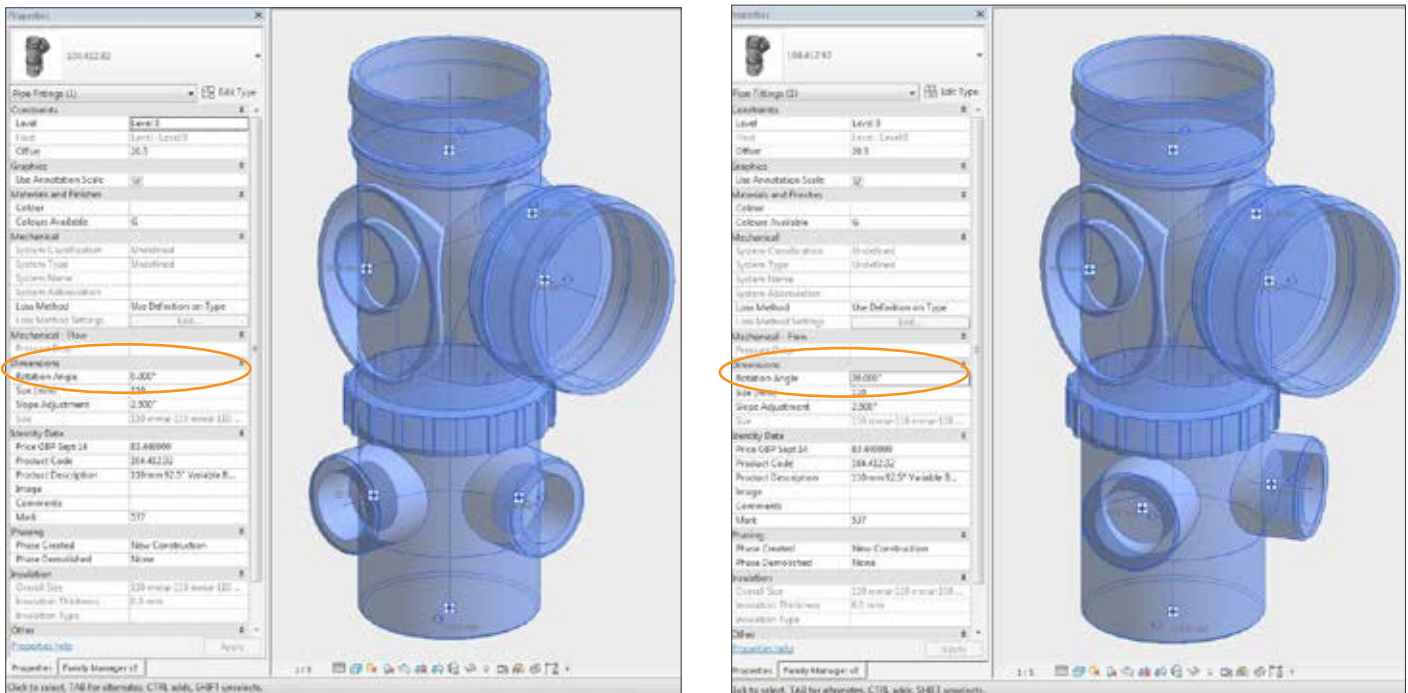
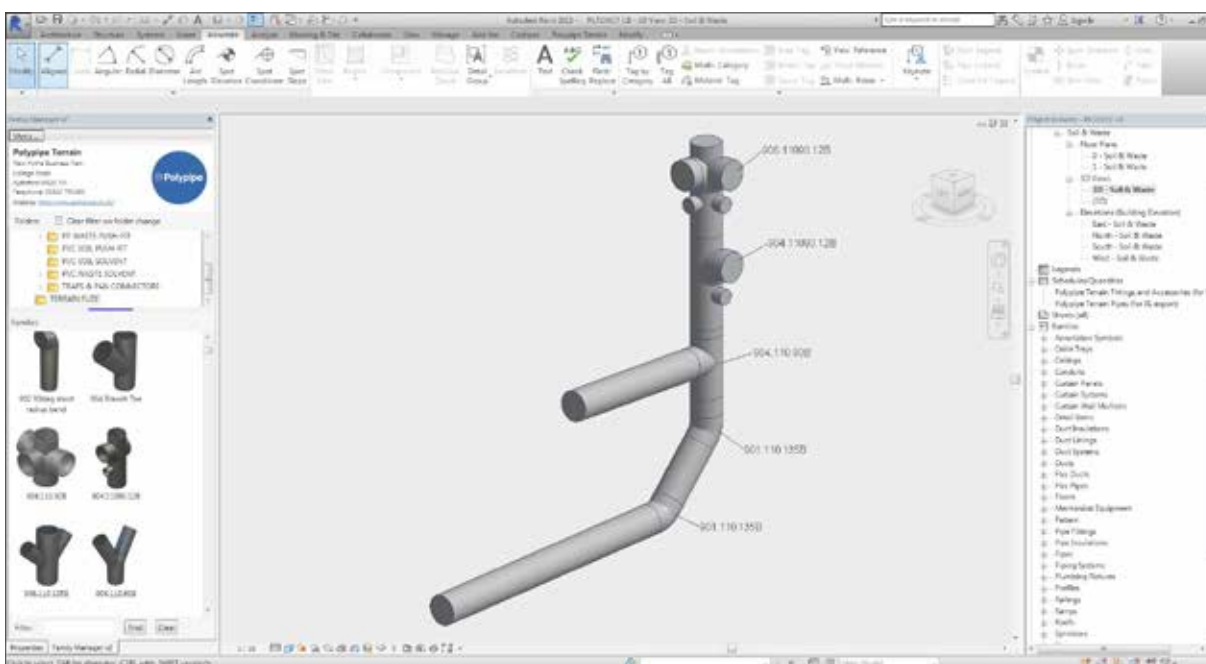
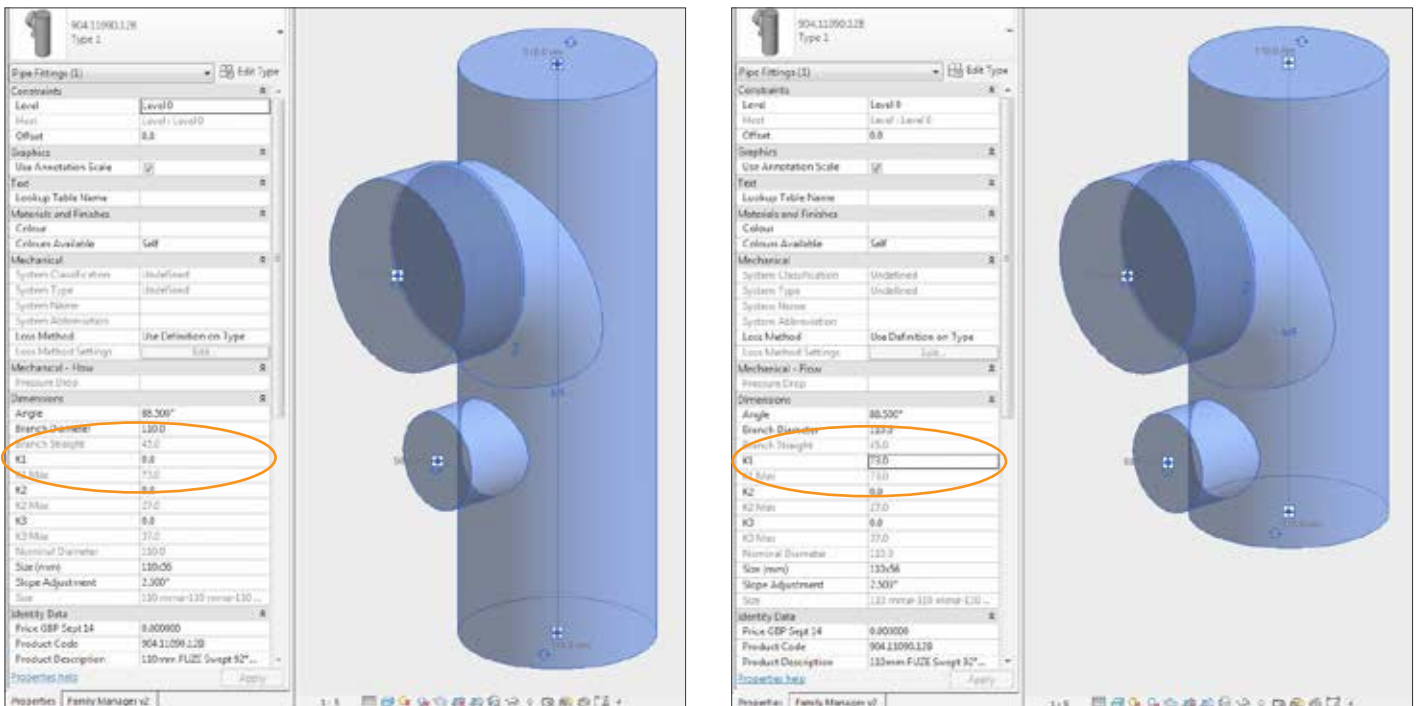


Figure 5 (below): Terrain FUZE HDPE is a much more intuitive system with bends and branches being drawn in automatically within the routing preferences however, we have included the unique fittings we have in our FUZE HDPE range but these will need to be added manually as again these are “multi-port connections”.



### Drainage Solutions for Tall Buildings

Figures 6a (below left) and 6b (below right): The FUZE HDPE components have “K” value parameters which allow the user to reduce the spigot lengths of the fittings to enable them to be custom fitted as required. The “K” value will not go past the max cut length which is stated below each parameter.



The Terrain PVC and FUZE HDPE ranges are available as a download of our family groups by request, which will need to be added to your copy of Revit 2015 by the “Load family” function, you will also need to copy the pipe from the “Polypipe Terrain template” (which is included with our family parts) in to your own project template to activate the routing preferences.



### Contact Us

to find out how we can further help with your tall building project.

Look out for our next Technical Bulletin on pressure systems