

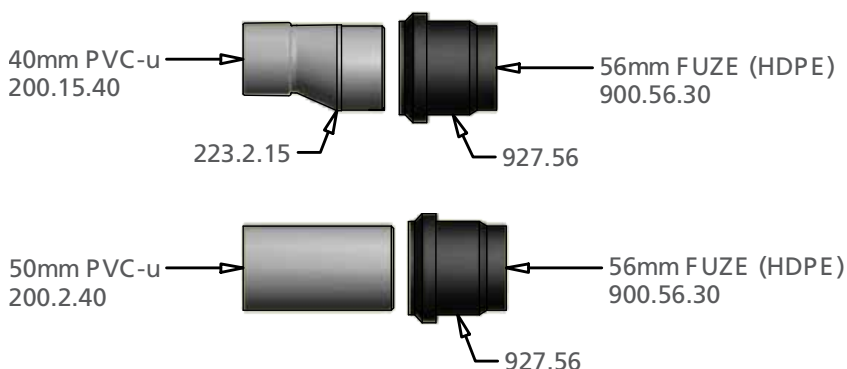
We have previously produced Technical Bulletins on adapting from one material to another. Due to differences of standards, some metric and some historically imperial, the outside diameters from one material to another are generally different as illustrated within the table below.

Material	OD					
	Size					
	1¼"	1½"	2"	3"	4"	6"
PVCu	36mm	43mm	56mm	82mm	110mm	160mm
PP	35mm	41mm	54mm			
HDPE	40mm	50mm	56mm	90mm	110mm	160mm
dB12	40mm		50mm		110mm	160mm
Iron	42mm	47.8mm	60mm			
Copper	35mm	42mm	54mm		108mm	
Clay					100mm	
Vulcathene		48mm	60mm	89mm	114mm	
Cast Iron					112mm	
Chrome	32mm					

Fig. 1



Adapting from one material to another can sometimes require a number of different fittings. An example shown (Fig. 1) shows a solution of bringing 32mm PVC waste into a 40mm Terrain FUZE HDPE branch. As you can see there is a requirement for a number of fittings to make this adaption.



The only two waste sizes which are the same between PVC and HDPE are 50mm PVC and 56mm Terrain FUZE, both 56mm outside diameter. This has meant that it is common practice for drainage stacks to be installed with a 56mm branch for easy adaption onto any PVC waste size with the use of level invert reducers.



At Polypipe Terrain we like to innovate, we like to make things easier for the installers. That's why we have introduced a range of PVC to HDPE adaptors. These fittings allow for a butt weld or electro-fusion weld onto HDPE and a ring seal socket which will take a number of different pipe materials.

The table below shows a range of five adaptors available and you can use this table to find the adaptor to suit your requirements.

COMPATIBILITY TABLE					
Part Number	Terrain FUZE size	Compatibility			
		PVC (200 series)	PP (300 series)	ABS (600 series)	Copper
927.4036B	40mm	32mm 	32mm 	32mm 	35mm
927.5036B	50mm	32mm 	32mm 	32mm 	35mm
927.5043B	50mm	40mm 	40mm 	40mm 	42mm
927.5636B	56mm	32mm 	32mm 	32mm 	35mm
927.5643B	56mm	40mm 	40mm 	40mm 	42mm

For example, if you needed to connect 32mm PVC to 50mm Terrain FUZE HDPE, you could use a 927.5036B. Using this range of adaptors allows you to minimise the space required when adapting from PVC, Polypropylene or ABS into a HDPE stack.



Contact Us

to find out about our Technical Workshop

Next
bulletin coming
January 2018