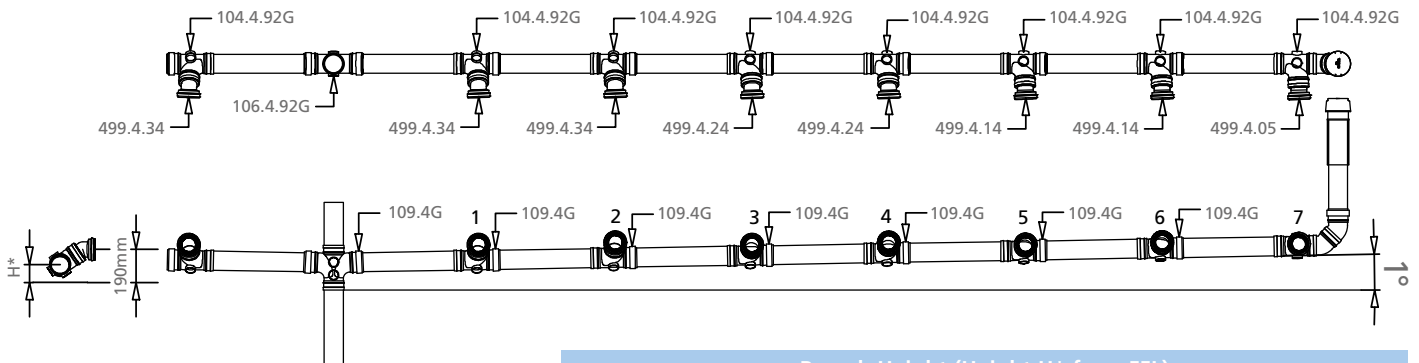


WC Connections - PVC

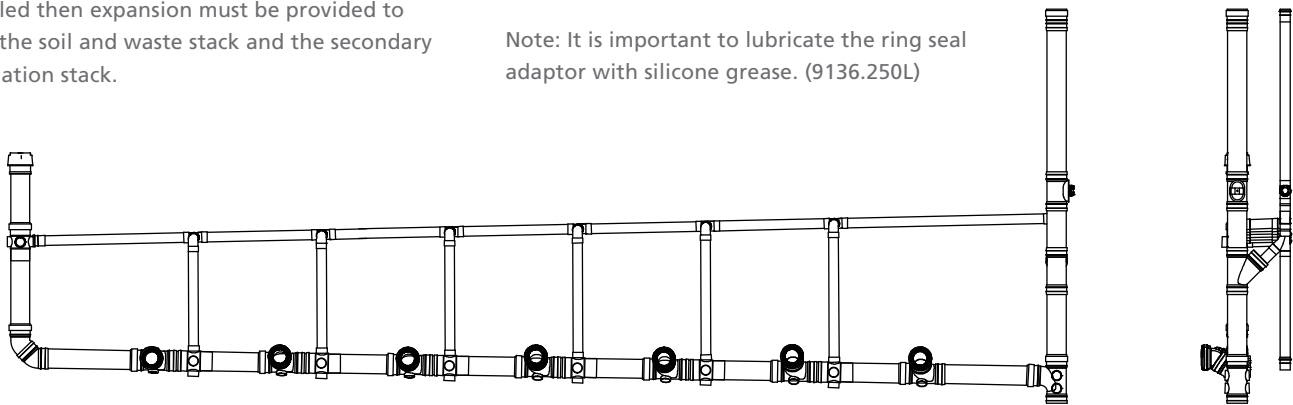


Float laid to a Fall of 1° (17mm drop/1 metre run)

Note: If a secondary ventilation system is being installed then expansion must be provided to both the soil and waste stack and the secondary ventilation stack.

Branch Height (Height H* from FFL)							
H*	1	2	3	4	5	6	7
mm	86	100	114	128	142	156	170

Note: It is important to lubricate the ring seal adaptor with silicone grease. (9136.250L)



Risers and Branches

It is recommended that an expansion socket is incorporated at each floor level when designing and installing 100 Series PVC stacks in multi-storey buildings.

Where a branch is taken off a main run, the thermal movement of the main run is going to affect the branch.

- Establish the distance between the branch and the nearest anchor.
- Calculate the movement at the point where the branch joins the run.

- Establish the hole size through the wall and ensure that there is enough space for the branch to naturally flex, taking into account that the movement of the branch will be limited where it passes through a wall.
- If there is not enough room for the required offset, think about adding expansion sockets and anchor points to the main run to reduce the amount of movement experienced by the branch.



Contact Us

to find out about our Technical Workshop

Next month's
Technical Bulletin -
4 Way Boss