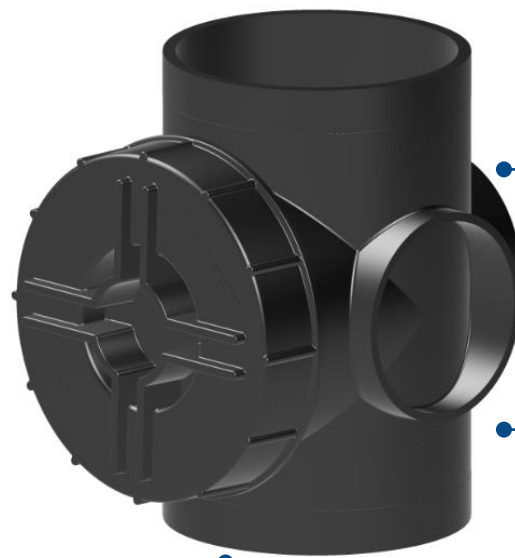
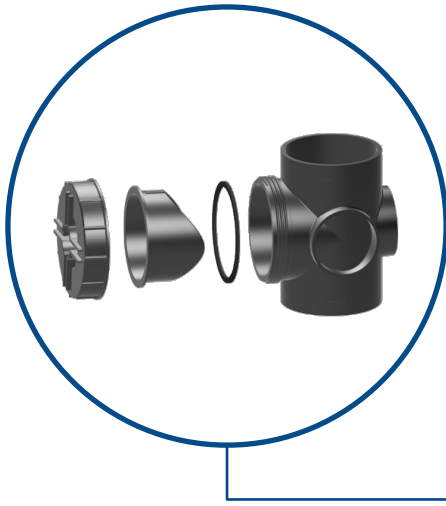


Modified unique door and plug, now with 160mm opening

New internal bung to improve flow and prevent blockages

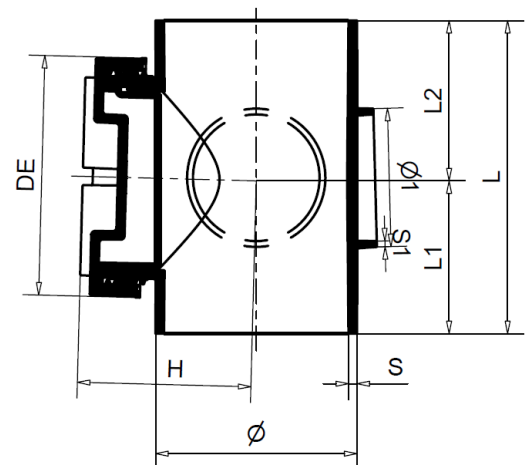
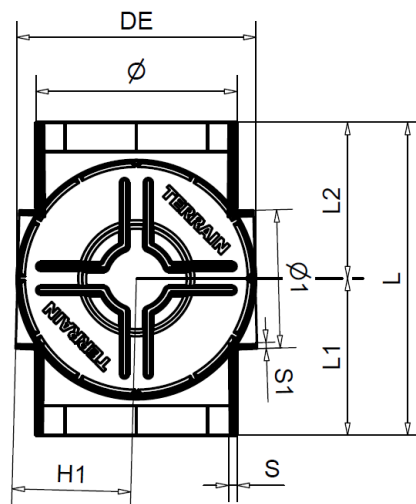
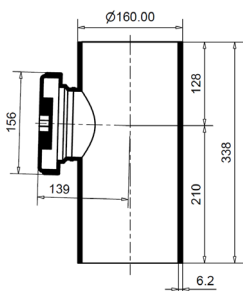


3x 110mm bosses around the access door (butt weld only)

Compact design

Spigots can be butt-weld or electrofusion welded

Previous style door with 110mm opening



Code	ϕ / ϕ_1	s / s_1	L	L ₁	L ₂	H	H ₁	DE
938.160.90B	160/110	6.2/4.3	250	128	122	142	96	192