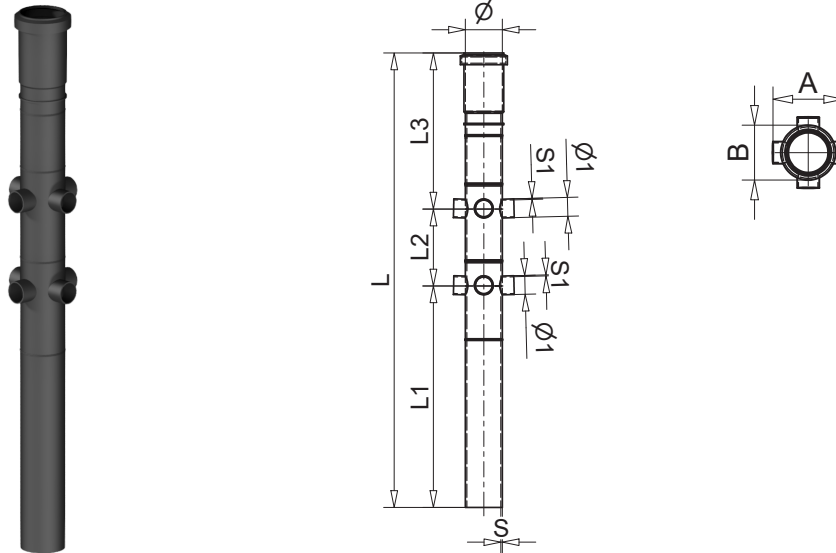


Terrain FUZE Stax - Utility (Bottom Section) P1

Multiple boss entries, which can be drilled out, allowing connection to any angle. Designed to be installed at low level providing connection from any height. The upper set of bosses allow connection to condensate drain. A two-part solution (when used with an access section) designed to provide easy installation.



*Product shown is an expansion version.

Product Code	Type	ø/ ø1 (mm)	S (mm)	S1 (mm)	L (mm)	L1 (mm)	L2 (mm)	L3 (mm)	A (mm)	B (mm)
9409.7556B •	Expansion	75/56	3.5	3	1025	572	140	313	93	125
9409.11056B	Expansion	110/56	4.3	3	1354	660	229	463	180	180
9409.16056B	Expansion	160/56	6.2	3	1358	660	125	573	241	241
9410.7556B •	Locked	75/56	3.5	3	855	572	140	144	118	78
9410.11056B	Locked	110/56	4.3	3	1177	660	229	288	180	180
9410.16056B	Locked	160/56	6.2	3	1177	660	125	392	241	241

• 2 Single branches

Features & Benefits

- UK manufactured
- Three options of diameter - 75, 110 & 160mm
- 56mm bosses
- Two system types - Expansion socket & locked (spigot)
- Impact resistant
- Abrasion resistant
- Chemical resistant

PDS-018
Version: 1
Issued: 11/01/2023