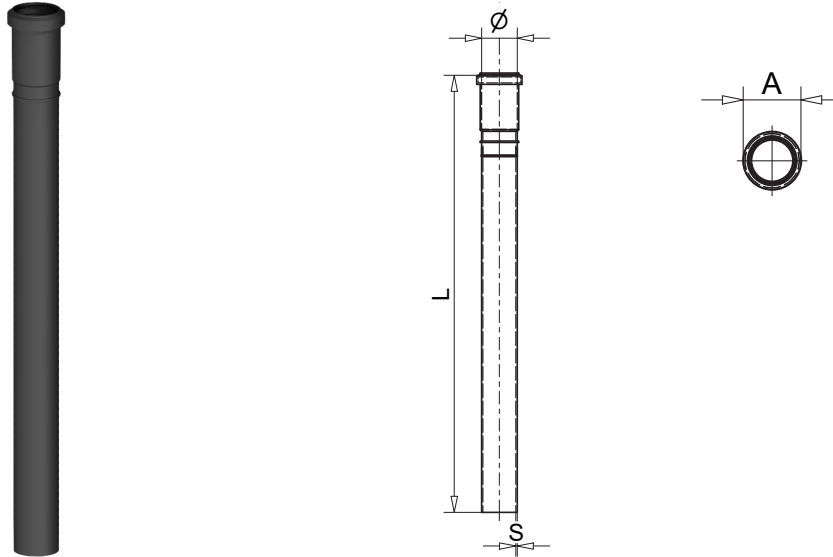


Terrain FUZE Stax - No Connection (Bottom Section)

P1

To be used as a bottom section where no branch connections are required. Commonly used in vent scenarios.



Product Code	ø (mm)	S (mm)	L (mm)	A (mm)
9411.56B	56	3	1027	73
9411.75B	75	3.5	1025	93
9411.110B	110	4.3	1354	140
9411.160B	160	6.2	1358	192

Features & Benefits

- UK manufactured
- Four options of diameter - 56, 75, 110 & 160mm
- Expansion socket
- Impact resistant
- Abrasion resistant
- Chemical resistant

PDS-019
Version: 1
Issued: 12/01/2023