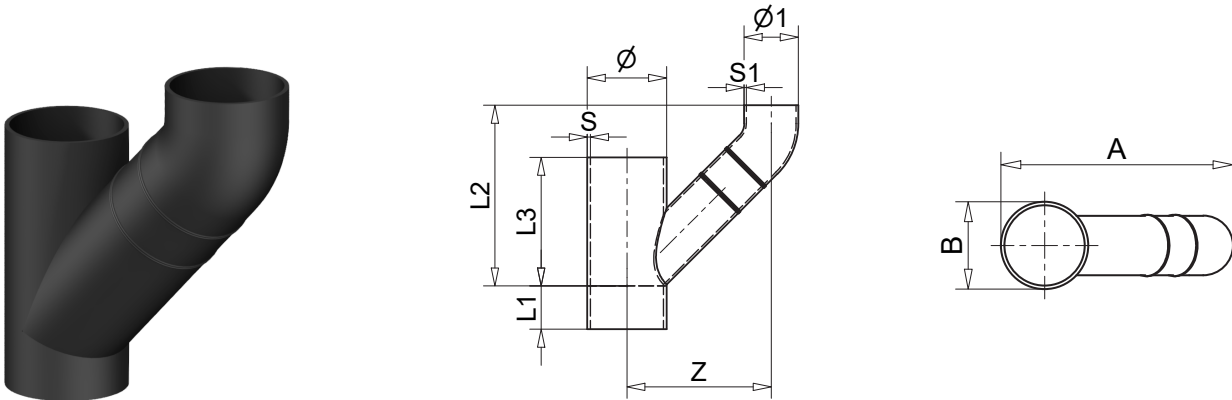


Terrain FUZE Stax - Cross Vent Termination

Designed to connect an anti-siphon pipe to the main soil vent pipe.



Product Code	Type	ø/ ø1 (mm)	S (mm)	S1 (mm)	L1 (mm)	L2 (mm)	L3 (mm)	A (mm)	B (mm)	Z (mm)
9415.11056B	Vent Termination	110/56	4.3	3	60	247	178	284	110	200
9415.11075B	Vent Termination	110/75	4.3	3.5	60	251	178	294	110	200
9415.110110B	Vent Termination	110/110	4.3	4.3	60	259	178	311	112	200
9415.160110B	Vent Termination	160/110	6.2	4.3	70	309	244	385	160	250

Features & Benefits

- UK manufactured
- Two options of diameter - 110 & 160mm
- Impact resistant
- Abrasion resistant
- Chemical resistant

PDS-022
Version: 1
Issued: 12/01/2023