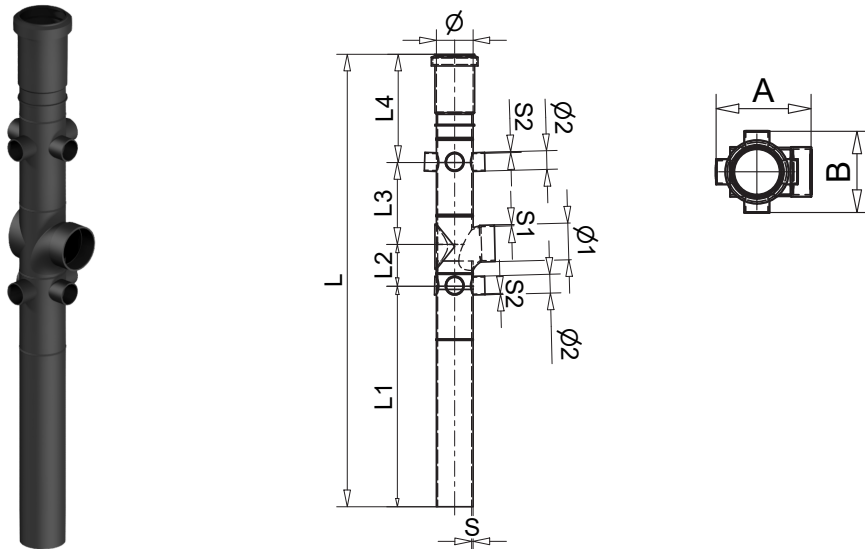


Terrain FUZE Stax - Bathroom (Bottom Section) P1

The single, double & corner variants cover the most common scenarios used in the industry. A two-part solution (when used with an access section) designed to provide easy installation.

Multiple boss entries, which can be drilled out, designed to save time on site. Branch heights & centres are suitable for most connection scenarios.



*Product shown is an expansion version.

Product Code	Type	ø/ ø1/ ø2 (mm)	S (mm)	S1 (mm)	S2 (mm)	L (mm)	L1 (mm)	L2 (mm)	L3 (mm)	L4 (mm)	A (mm)	B (mm)
9401.11011056B	Single Expansion	110/110/56	4.3	4.3	3	1354	660	125	245	324	210	180
9401.16011056B	Single Expansion	160/110/56	6.2	4.3	3	1358	660	125	250	323	243	241
9402.11011056B	Single Locked	110/110/56	4.3	4.3	3	1177	660	125	245	147	210	180
9402.16011056B	Single Locked	160/110/56	6.2	4.3	3	1177	660	125	250	142	243	241
9403.11011056B	Double Expansion	110/110/56	4.3	4.3	3	1354	660	125	245	324	240	180
9403.16011056B	Double Expansion	160/110/56	6.2	4.3	3	1358	660	125	250	324	259	241
9404.11011056B	Double Locked	110/110/56	4.3	4.3	3	1177	660	125	245	147	240	180
9404.16011056B	Double Locked	160/110/56	6.2	4.3	3	1177	660	125	250	142	262	241
9405.11011056B	Corner Expansion	110/110/56	4.3	4.3	3	1354	660	125	245	324	210	210
9405.16011056B	Corner Expansion	160/110/56	6.2	4.3	3	1358	660	125	250	323	259	243
9406.11011056B	Corner Locked	110/110/56	4.3	4.3	3	1177	660	125	245	147	210	210
9406.16011056B	Corner Locked	160/110/56	6.2	4.3	3	1177	660	125	250	142	245	259

Features & Benefits

- UK manufactured
- Two options of diameter - 110 & 160mm
- 56mm bosses
- Two system types - Expansion socket & locked (spigot)
- Impact resistant
- Abrasion resistant
- Chemical resistant



PDS-016
Version: 1
Issued: 11/01/2023